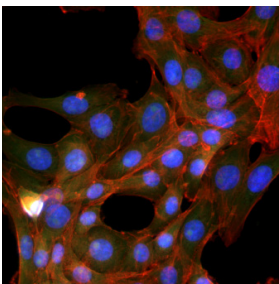
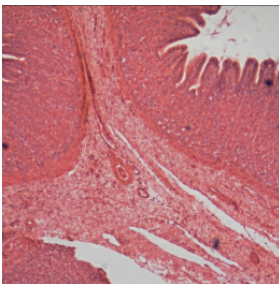
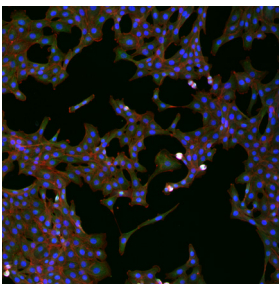


DPX COOL

Microscope cameras



- High resolution
- Peltier-cooled
- Ultra-sensitive
- High-speed live video
- High-quality Sony sensor

DPX COOL Cameras

DeltaPix DPX COOL cooled Microscope Cameras Series

DeltaPix cooled microscope cameras offer fast and precise high-resolution live video streams as well as still images! User-friendly setup for everyday use, with a first-in-class price/performance ratio.

The Cooled DPX camera series is especially suited for low-light applications, due to its high sensitivity, and applications in which a high frame rate is required.

The Cooled DPX camera series is based on a high-quality Sony Exmor™ sensor for excellent image quality, sensitivity, speed, and built-in advanced two-stage Peltier cooling technology cooling up to 42°C below ambient temperature. This will greatly increase the signal-to-noise ratio and decrease the image noise.

High-quality, cost-effective and flexible

The new DPX COOL microscope camera series has C-mount interface making it easily and cost-efficiently fit on most standard microscopes.

User-friendly Camera

Plug and play – the USB 3.0 interface provides high speed and ease of installation on any computer.

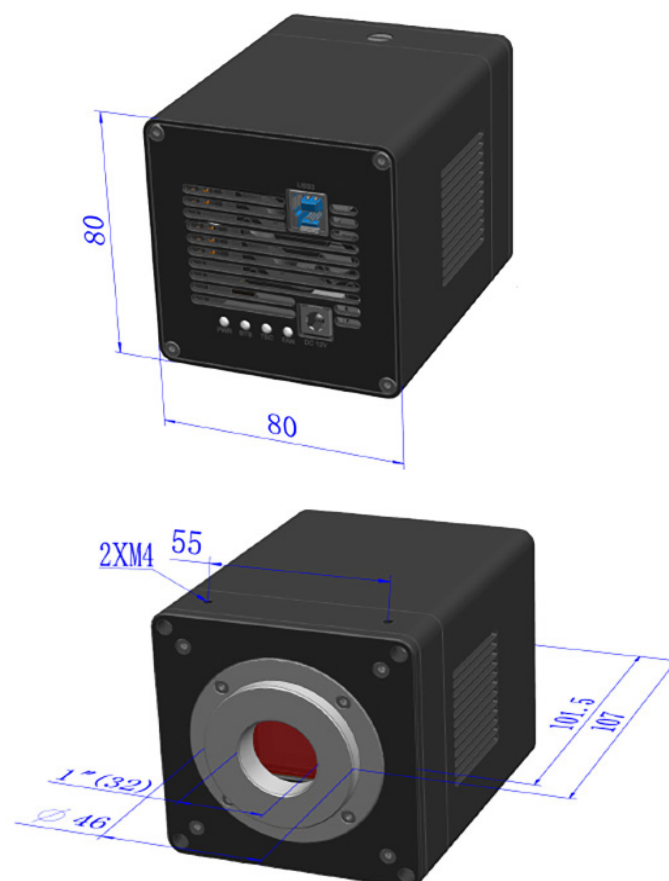
Applications

The DPX COOL camera series come in 3 different resolutions making this series versatile and suitable for many applications.

Typical applications:

- Material science
- Metrology
- Dark Field
- Bright Field
- Fluorescence
- Cytology
- Biology

Camera Dimensions



Ultra-Low noise images

The DPX COOL Microscope cameras are all designed with Sony's newest sensor type the Exmor™, which is a superior sensor type, especially because The Exmor™ sensors digitize the pixels before the column signals are multiplexed, thereby minimizing the noise signal significantly compared to standard CMOS sensors.

Camera Design for Reduced Noise

DeltaPix has carefully designed the camera to minimize noise originating not only from the sensor but also from the surrounding electronic circuits and wires. Through thoughtful selection of components, wiring, grounding, and shielding, we have achieved a significant reduction in noise levels.

Technical Highlight COOL09DPX:

- 1" Sony sensor
- 9 Megapixels
- Up to 40 FPS in full resolution
- Ultra-light sensitive

Smear-Free Images with Exmor™ Sensor

Our camera features an Exmor™ sensor designed for smear-free imaging. Unlike other noname sensors, it provides this feature without compromising on dynamic range and contrast, addressing the limitations often associated with traditional CMOS sensors.

DeltaPix InSight Software

All DPX COOL cameras Include DeltaPix InSight Basic software which is a powerful platform for camera control, precise measurements, and analyses. DeltaPix InSight allows expansion with a multitude choice of optional modules, for a wide range of advanced applications with an easy-to-use user interface. Available functions in the optional modules are for example extended focus, HDR for wide dynamic images, 3D measurements/ 3D topography, Roughness measurement, stitching, Object Counting, and much more.

Technical Highlight COOL07DPX color:

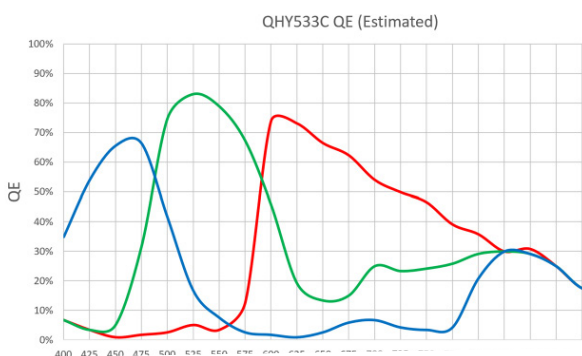
- 1.1" Sony sensor
- 7 Megapixels
- Up to 50 FPS in full resolution
- Ultra-light sensitive

Technical Highlight COOL07DPX monochrome:

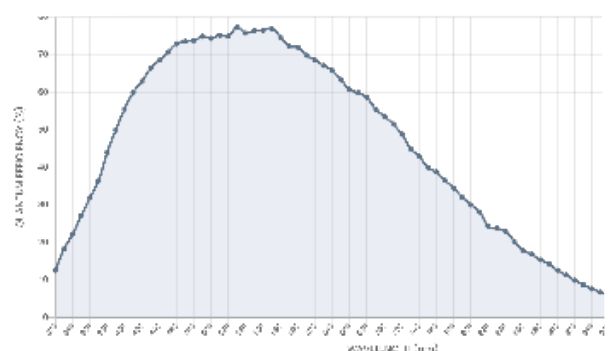
- 1.1" Sony sensor
- 7 Megapixels
- Up to 50 FPS in full resolution
- Ultra-light sensitive

Spectral Sensitivity

COOL09DPX/COOL07DPZ Color



COOL07DPZ Monochrome



Specifications

DPX COOLED cameras			
Camera model	COOL09DPX (C)	COOL07DPX (C)	COOL07DPX(M)
Live preview resolution	3000 x 3000 @40FPS(C) 1500 x 1500@126FPS	3200 x 2200 @50FPS 1600 x 1100 @80FPS	3200 x 2200 @50FPS (M) 1600 x 1100 @80FPS (M)
Still image resolution	9Mpixels (3000x3000) 2.25Mpixels (1500x1500) 1Mpixels(1000x1000)	7 Mpixels (3200x2200) 1.76Mpixels(1600 x 1100)	7 Mpixels (3200x2200) 1.76Mpixels(1600 x 1100)
Sensor size	1" Sony sensor 11.28mm x 11.28mm	1.1" Sony Exmor 14.4mm x 9.9mm	1.1" Sony Exmor 14.4mm x 9.9mm
Pixel size	3.76 µm x 3.764 µm	4.5µm x 4.5µm	4.5µm x 4.5µm
Exposure size	0.1ms-3600 Seconds		
Gain	1-100		
Sensitivity	534mv with 1/30s (C)	2058mv with 1/30s (C)	3354mv with 1/30S (M)
Shutter	Electronic rolling shutter	Global shutter	
Peak QE	80% @ 520nm	77% @ 520nm	77% @ 520nm
Dynamic range	84db	72db	72db
Read Noise(LCG)	3.61e	1.79e-	1.77e-
Read Noise(HCG)	1.18e	0.77e-	0.77e-
Cooling	Peltier cooling		
Lens Mount	C		
White balance	Automatic, manual or spot white balance		
Data interface	USB 3.0		
Software	DeltaPix InSight Basic included		
Data format and compression	24-bit uncompressed Tiff, 24bit JPEG compressed and 24-bit loss-less compressed JPEG2000		
Minimum PC requirements	<ul style="list-style-type: none"> • Intel i7 12th gen or newer • 16 GB of RAM or more • SSD drive 120GB or more • Graphic processor Nvidia RTX 2060 or better • Windows 10 and Windows 11 • A high-resolution monitor DeltaPix InSight works with Windows 64Bits		
Power	12V		
Dimension	96.5mm x 86mm x 86mm		
Weight		934g	

10/2023

Head Quarter & Sales

Hassellunden 16
DK 2765 Smorum, Denmark

☎ +45 4676 0205
✉ info@deltapix.dk

Development

Jacob Petersens Vej 11
DK 9240 Nibe, Denmark

☎ +45 4676 0205
✉ info@deltapix.dk