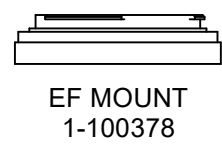


RESOLV4K FIXED SYSTEM DIAGRAM

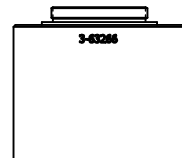
CAMERA MOUNTS



EF MOUNT
1-100378



F MOUNT
3-62923



C MOUNT
3-63266



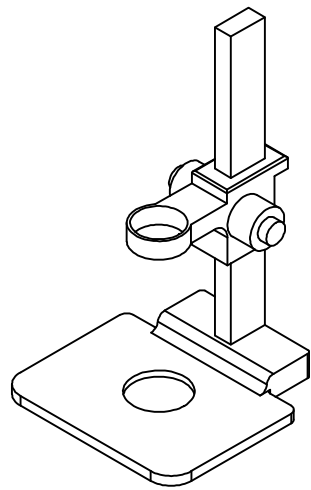
T-TFL MOUNT
1-64818



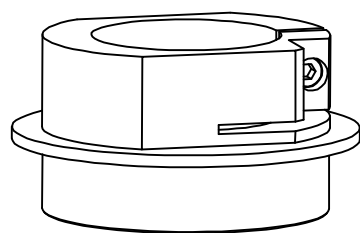
M42x1 MOUNT
1-55281

REAR ADAPTERS

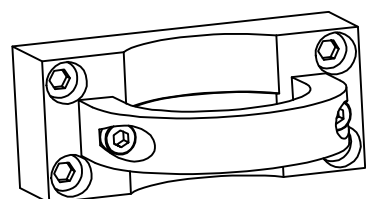
MOUNTING OPTIONS



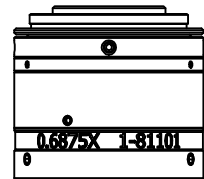
Ø76mm HOLDER
8-28256



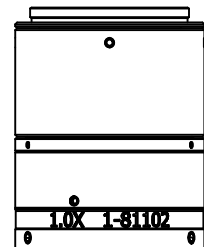
SPLIT CLAMP, Ø76mm
1-80372



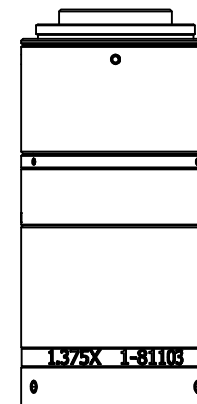
FLAT MOUNT, SLIM, METRIC / INCH
1-80270 / 1-80271



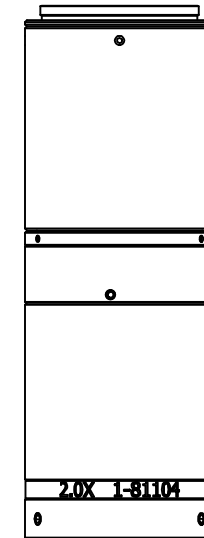
0.6875X
1-81101



1.0X
1-81102



1.375X
1-81103



2.0X
1-81104

FIXED OPTIONS

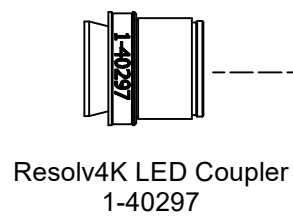


Resolv4K Fixed
1-80800

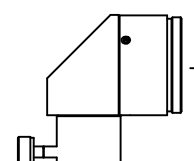
Upper Interface Options:
 1-81302: 90° Fold
 1-81310: Filter Holder
 1-81314: Adjustable Iris
 1-81303: Rt. Angle Coax*

*See your Navitar sales representative for details regarding your application.

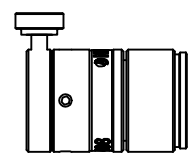
LOWER INTERFACES



Resolv4K LED Coupler
1-40297

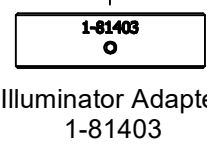


Fiber Light Input,
Rt. Angle
1-81425

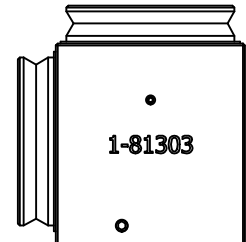


Fiber Light Input
1-81408

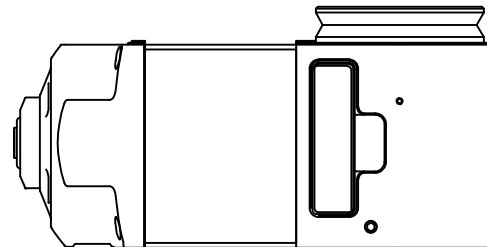
Fiber Input Options:
 1-81408: 8mm Fiber
 1-81410: 10mm Fiber
 1-81412: 12mm Fiber



Illuminator Adapter
1-81403

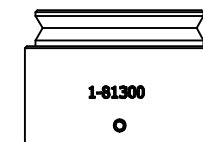


Rt. Angle Coax
1-81303

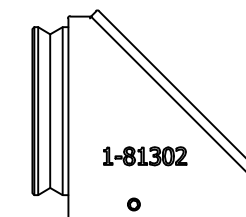


Diffuse On Axis Illuminator
1-81402

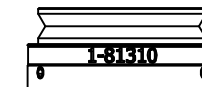
Wavelength Options:
 1-81402: Cool White
 1-81404: Blue
 1-81405: Green
 1-81406: Red



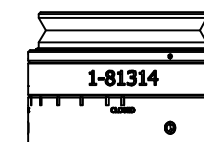
Lower Coupler
1-81300



90° Fold
1-81302

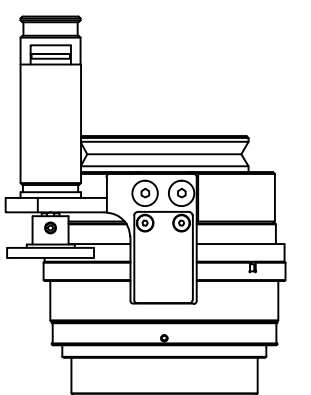


Filter Holder
1-81310



Adjustable Iris
1-81314

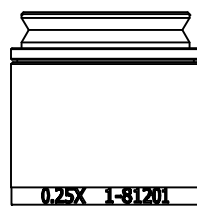
LENS ATTACHMENTS



e.g. 1-81204M2:
2Φ Motorized 1X LA
10mm of Fine Focus

Fine Focus Options for Lens Attachments
 M1: Manual FF
 M2: 2Φ Motorized FF
 M3: Encoded Motor FF
 M5: 5Φ Motorized FF

e.g. 1-81204M2:
2Φ Motorized 1X LA



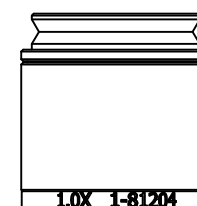
0.25X
1-81201



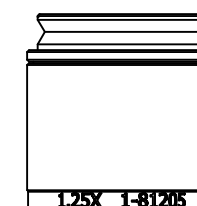
0.5X
1-81202



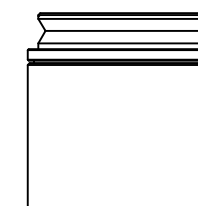
0.75X
1-81203



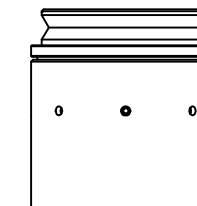
1.0X
1-81204



1.25X
1-81205



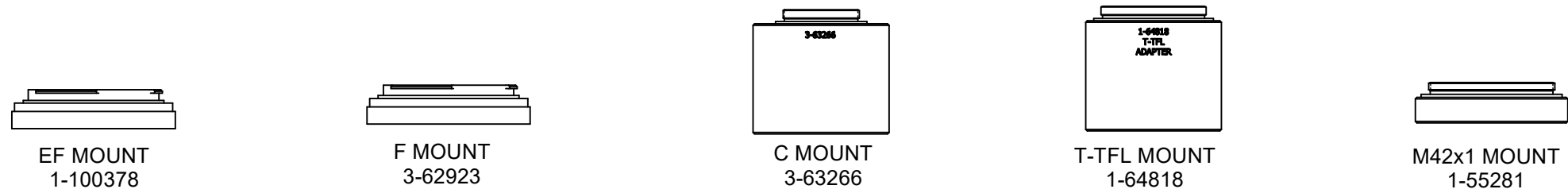
1.5X
1-81206



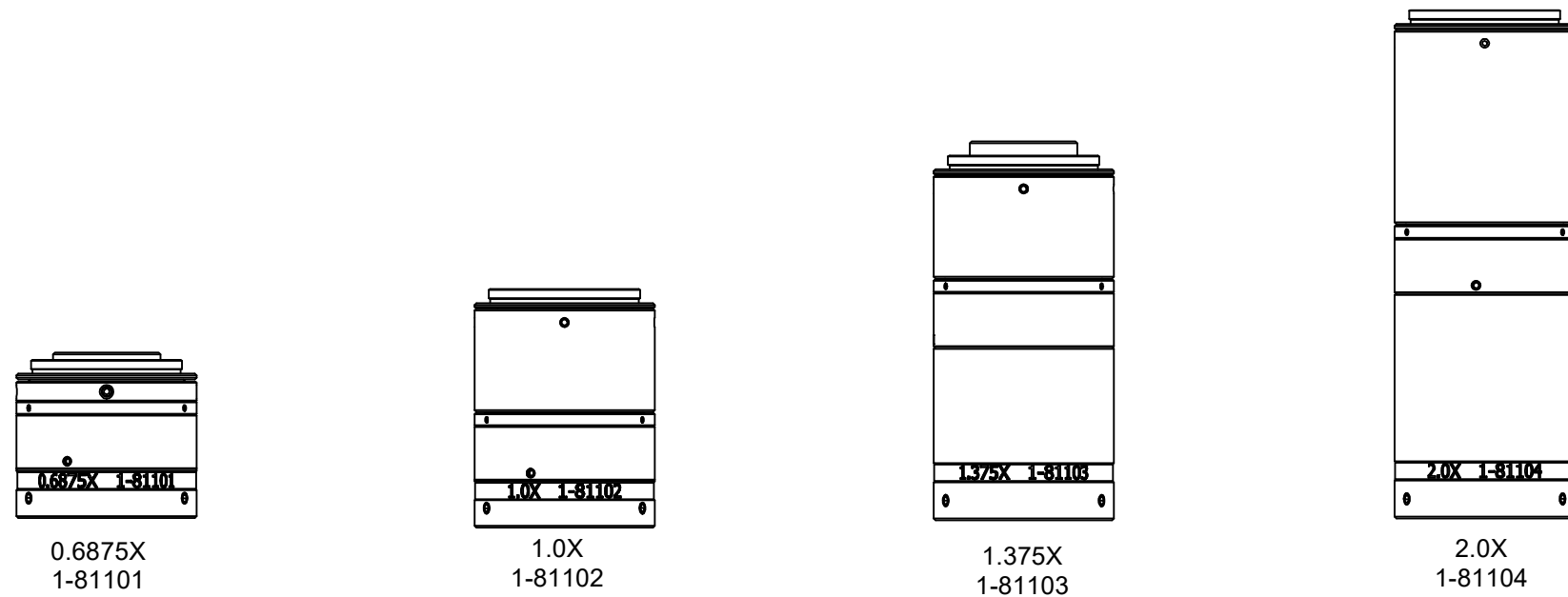
2.0X
1-81207

RESOLV4K ZOOM SYSTEM DIAGRAM

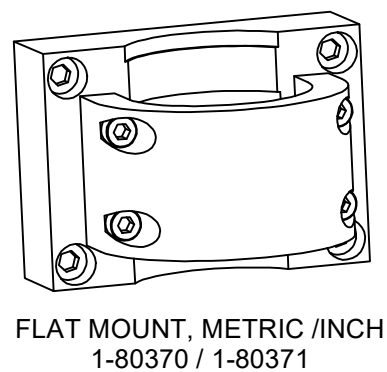
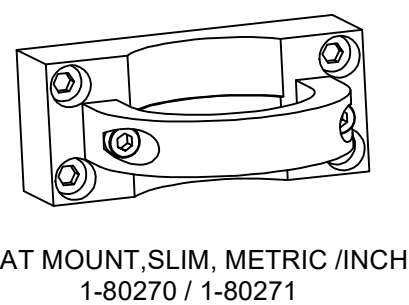
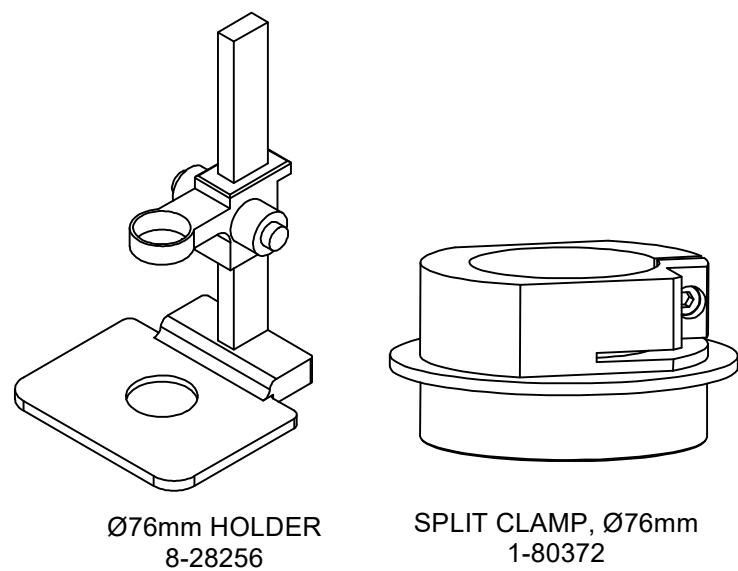
CAMERA MOUNTS



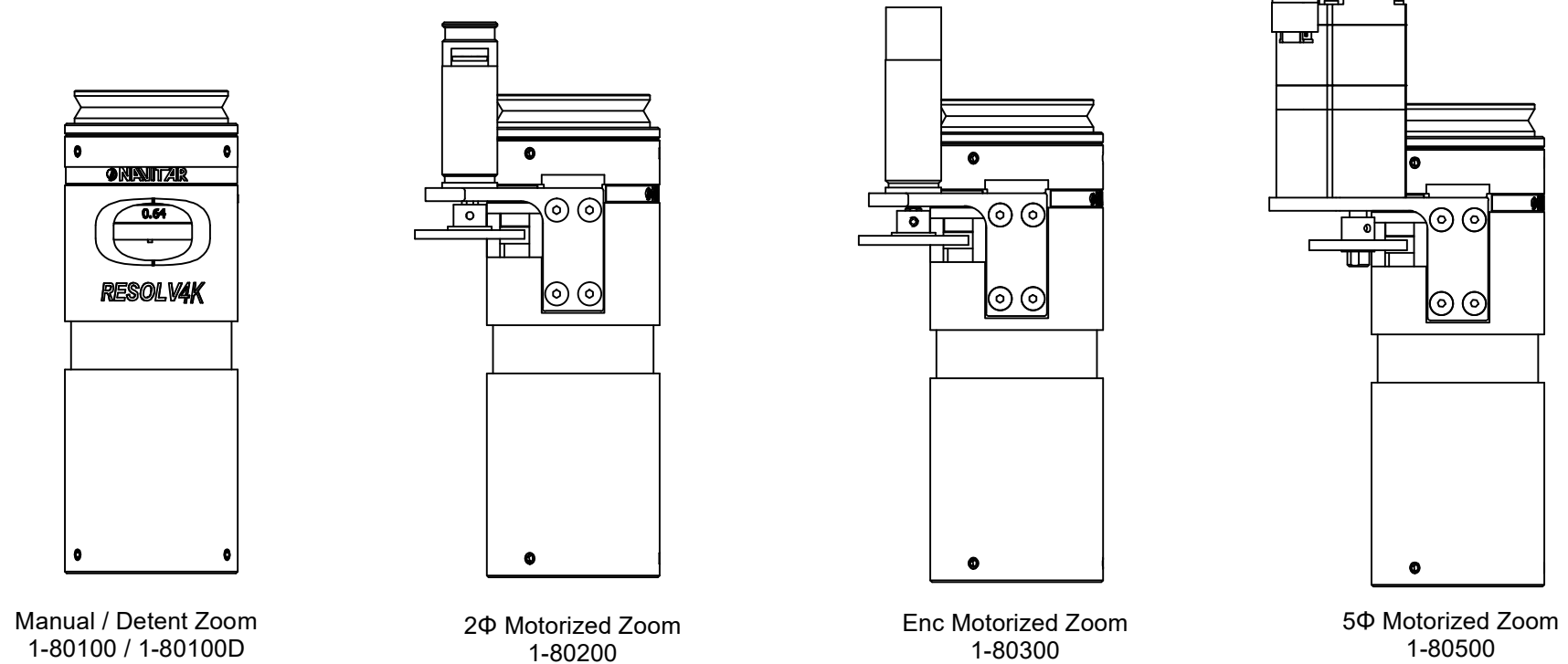
REAR ADAPTERS



MOUNTING OPTIONS



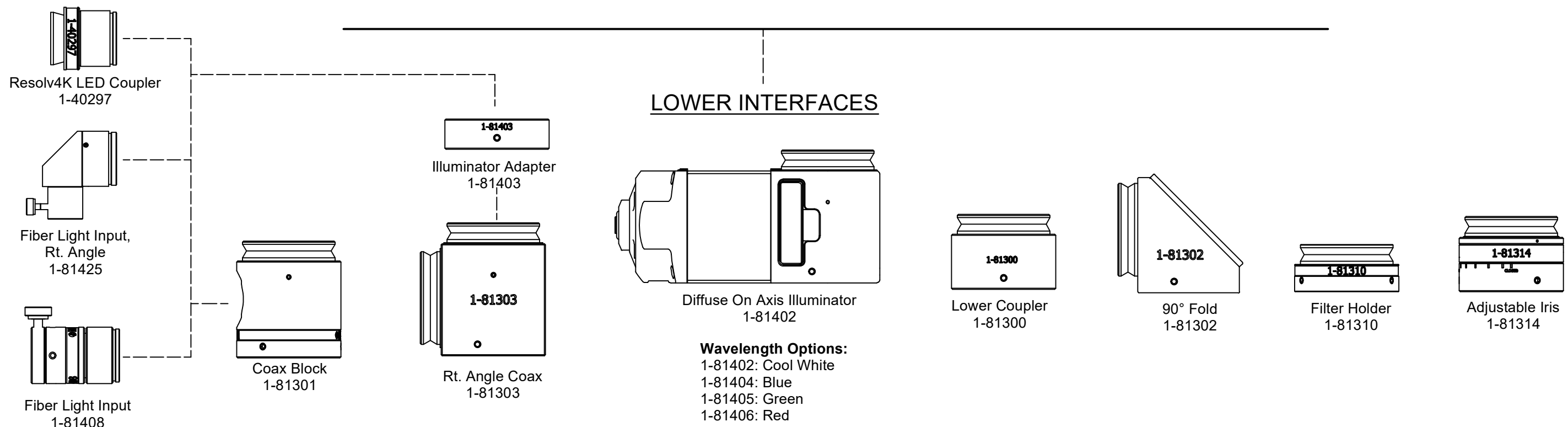
ZOOM OPTIONS



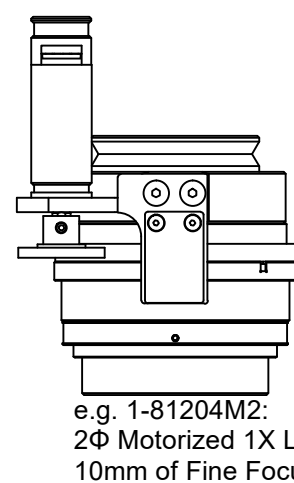
Upper Interface Options:
 1-81302: 90° Fold
 1-81310: Filter Holder
 1-81314: Adjustable Iris
 1-81303: Rt. Angle Coax*

*See your Navitar sales representative for details regarding your application.

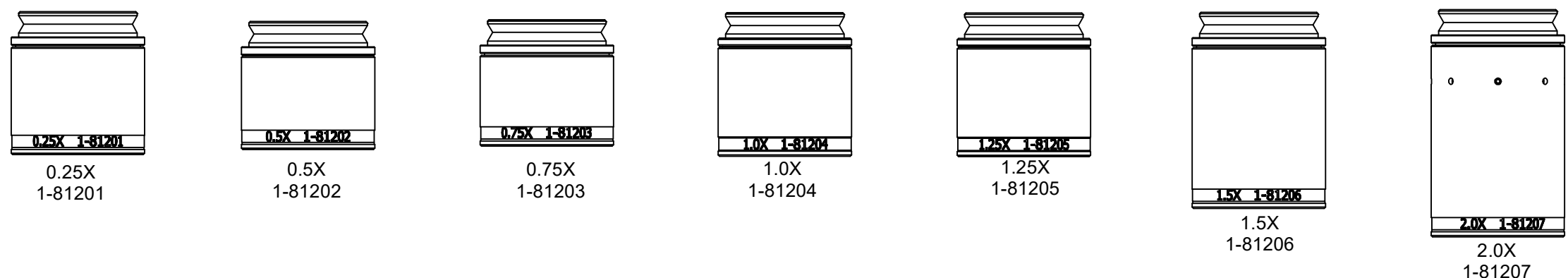
LOWER INTERFACES



LENS ATTACHMENTS

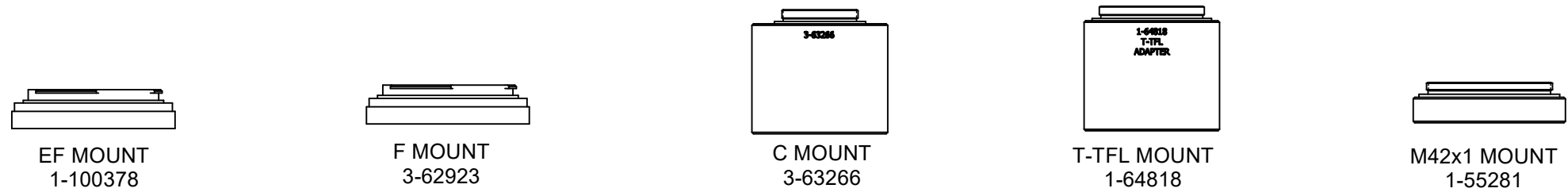


Fine Focus Options for Lens Attachments
 M1: Manual FF
 M2: 2Φ Motorized FF
 M3: Encoded Motor FF
 M5: 5Φ Motorized FF



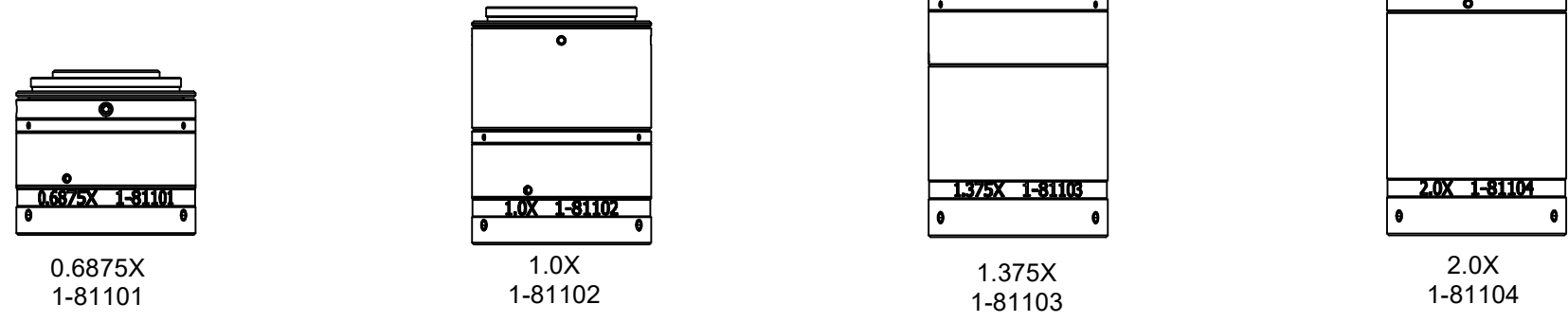
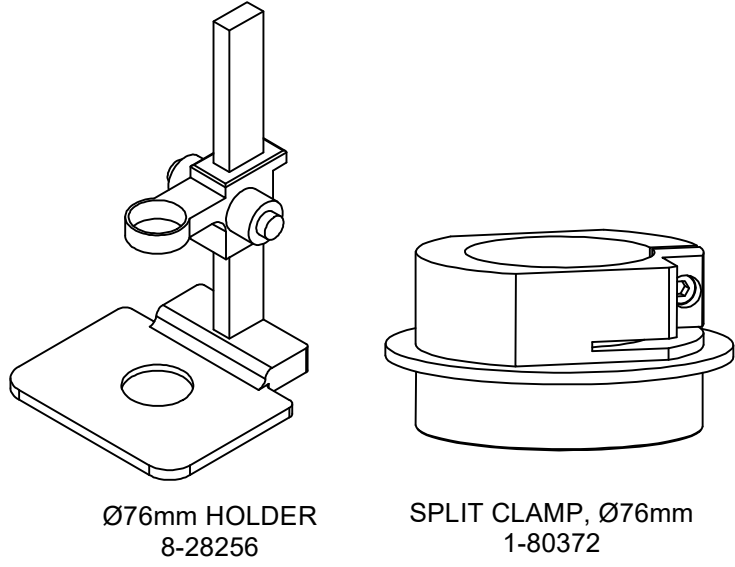
RESOLV4K ULTRAFIXED SYSTEM DIAGRAM

CAMERA MOUNTS



REAR ADAPTERS

MOUNTING OPTIONS



FLAT MOUNT, SLIM, METRIC / INCH 1-80270 / 1-80271

FIXED OPTIONS

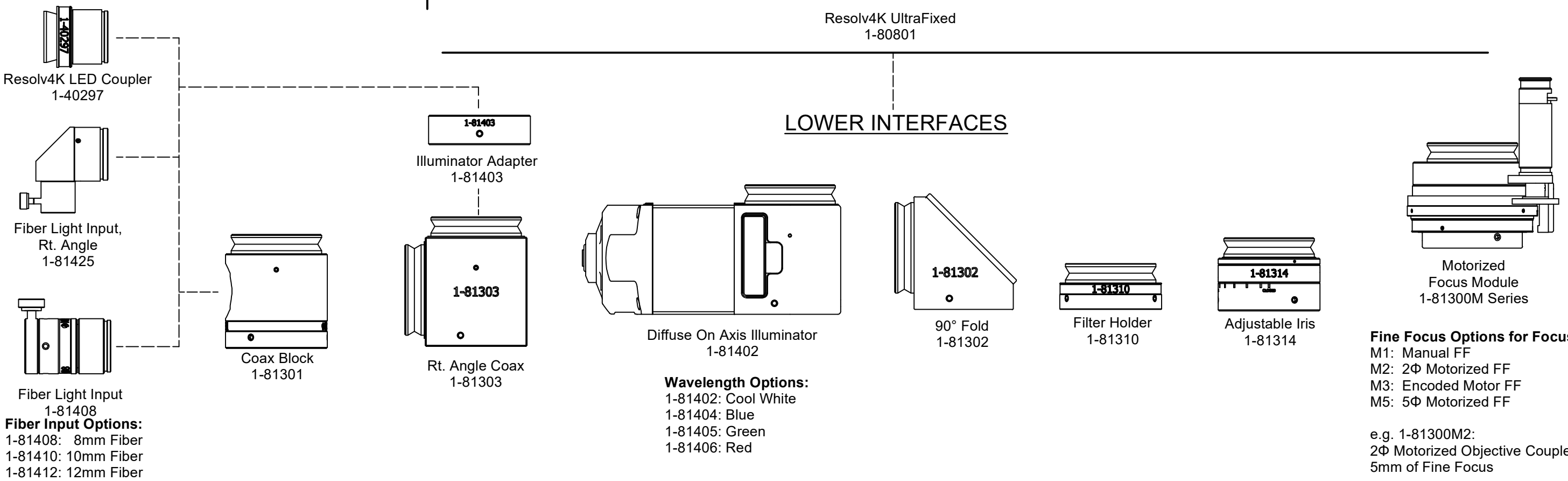


Resolv4K UltraFixed 1-80801

Upper Interface Options:
 1-81302: 90° Fold
 1-81310: Filter Holder
 1-81314: Adjustable Iris
 1-81303: Rt. Angle Coax*

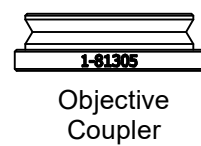
*See your Navitar sales representative for details regarding your application.

LOWER INTERFACES



OBJECTIVE COUPLER

Objective Coupler Options
 1-81304: M25x0.75
 1-81305: M26x36T
 1-81306: 0.800-36

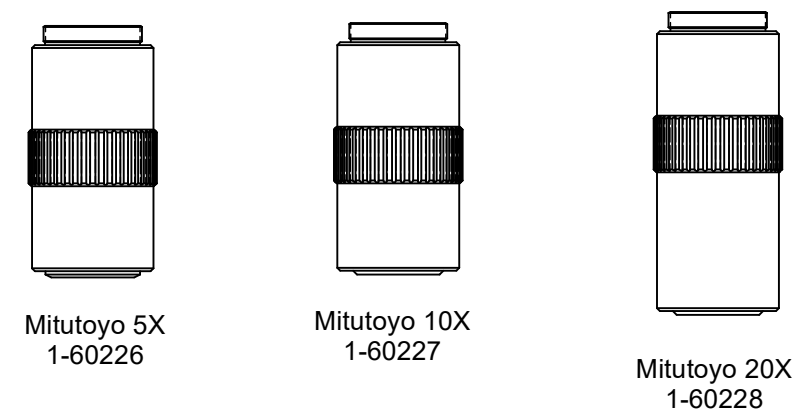


LOWER ATTACHMENT

NAVITAR HR INFINITY CORRECTED OBJECTIVES

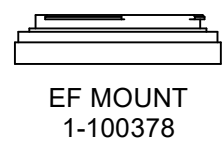


MITUTOYO OBJECTIVES

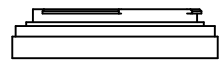


RESOLV4K ULTRAZOOM SYSTEM DIAGRAM

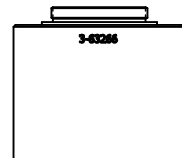
CAMERA MOUNTS



EF MOUNT
1-100378



F MOUNT
3-62923



C MOUNT
3-63266

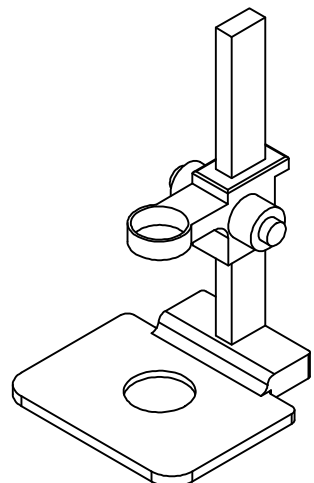


T-TFL MOUNT
1-64818

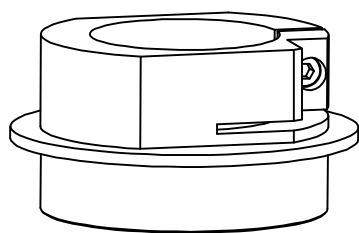


M42x1 MOUNT
1-55281

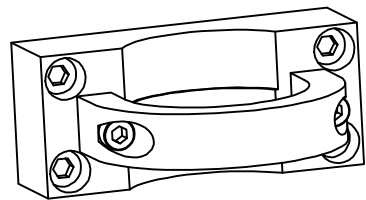
MOUNTING OPTIONS



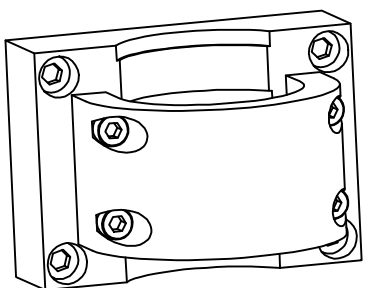
Ø76mm HOLDER
8-28256



SPLIT CLAMP, Ø76mm
1-80372

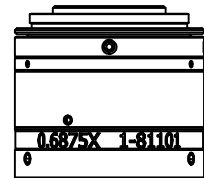


FLAT MOUNT, SLIM, METRIC / INCH
1-80270 / 1-80271

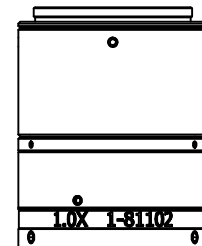


FLAT MOUNT, METRIC / INCH
1-80370 / 1-80371

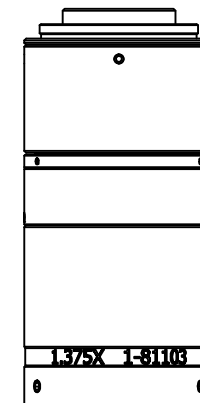
REAR ADAPTERS



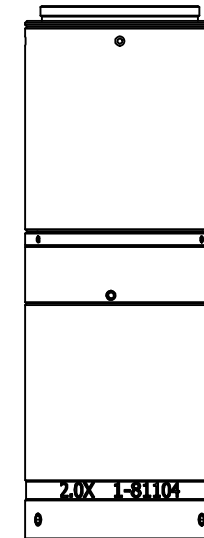
0.6875X
1-81101



1.0X
1-81102

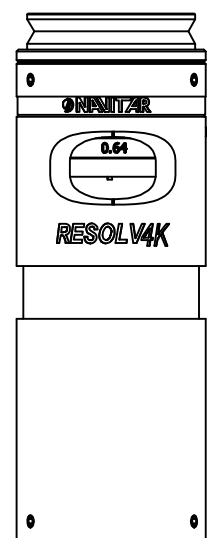


1.375X
1-81103

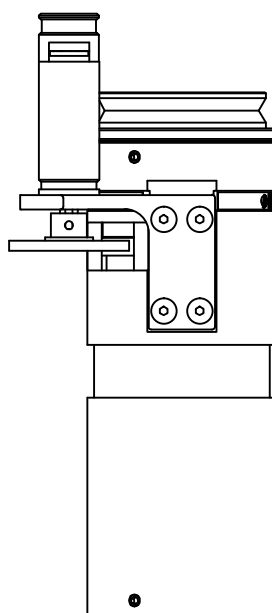


2.0X
1-81104

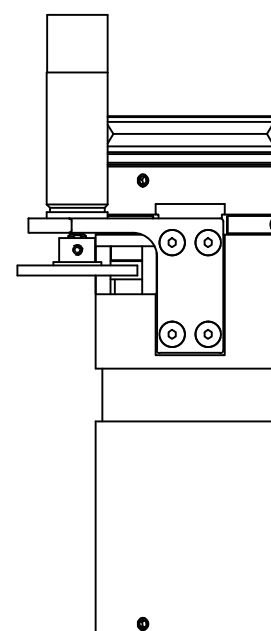
ZOOM OPTIONS



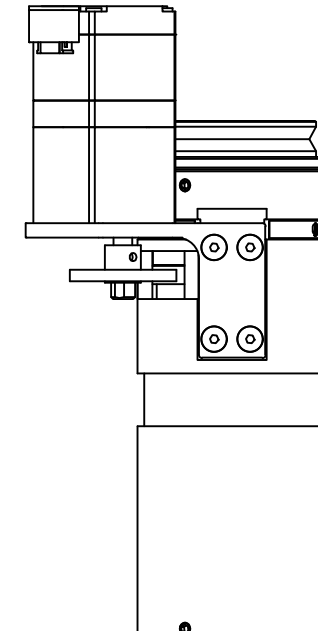
Manual / Detent Zoom
1-80100 / 1-80100D



2Φ Motorized Zoom
1-80200



Enc Motorized Zoom
1-80300

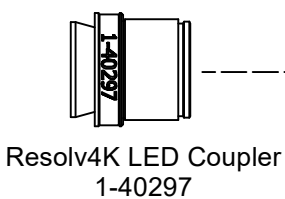


5Φ Motorized Zoom
1-80500

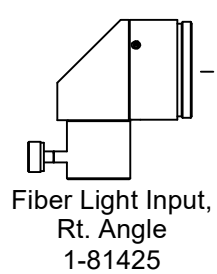
Upper Interface Options:
1-81302: 90° Fold
1-81310: Filter Holder
1-81314: Adjustable Iris
1-81303: Rt. Angle Coax*

*See your Navitar sales representative for details regarding your application.

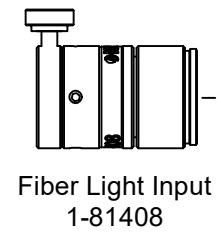
LOWER INTERFACES



Resolv4K LED Coupler
1-40297

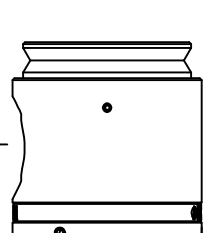


Fiber Light Input, Rt. Angle
1-81425

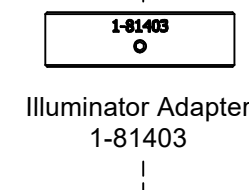


Fiber Light Input
1-81408

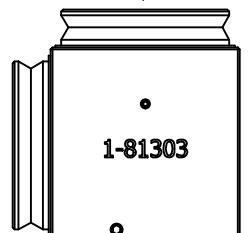
Fiber Input Options:
1-81408: 8mm Fiber
1-81410: 10mm Fiber
1-81412: 12mm Fiber



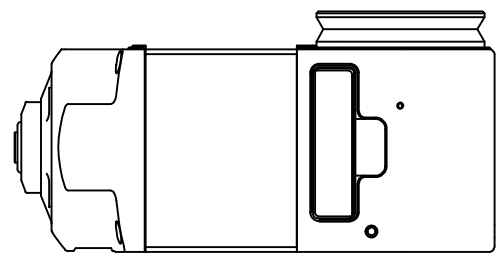
Coax Block
1-81301



Illuminator Adapter
1-81403

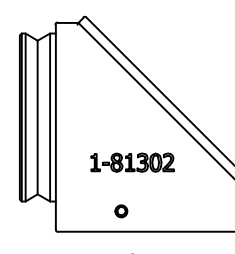


Rt. Angle Coax
1-81303

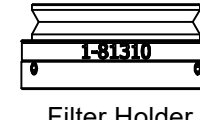


Diffuse On Axis Illuminator
1-81402

Wavelength Options:
1-81402: Cool White
1-81404: Blue
1-81405: Green
1-81406: Red



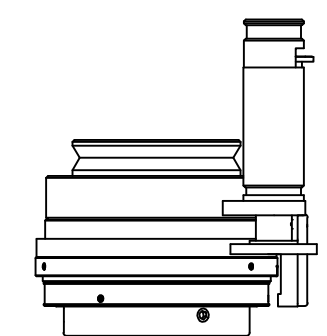
90° Fold
1-81302



Filter Holder
1-81310



Adjustable Iris
1-81314



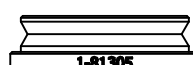
Motorized Focus Module
1-81300M Series
Fine Focus Options for Focus Module
M1: Manual FF
M2: 2Φ Motorized FF
M3: Encoded Motor FF
M5: 5Φ Motorized FF

e.g. 1-81300M2:
2Φ Motorized Objective Coupler
5mm of Fine Focus

OBJECTIVE COUPLER

Objective Coupler Options

1-81304: M25x0.75
1-81305: M26x36T
1-81306: 0.800-36



Objective Coupler

NAVITAR HR INFINITY CORRECTED OBJECTIVES



Navitar 4X
1-55075



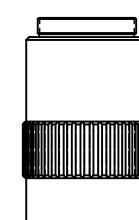
Navitar 6X
1-55401



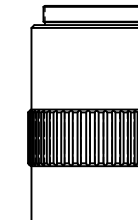
Navitar 10X
1-55227

LOWER ATTACHMENT

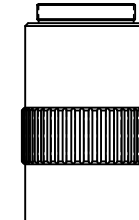
MITUTOYO OBJECTIVES



Mitutoyo 5X
1-60226



Mitutoyo 10X
1-60227



Mitutoyo 20X
1-60228