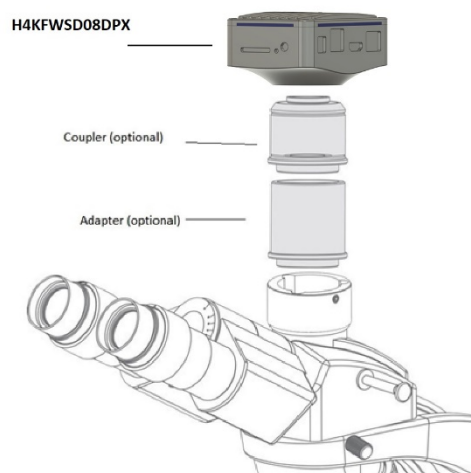


H4KFWSD08DPX - Quick Setup

1 How to Mount the camera



1. Attach the camera to the coupler and the adapter.
2. Attach the end of the adapter to your microscope, make sure that it is centered.

2 The camera Package includes:

- The H4KFWSD08DPX Camera
- HDMI 2.0 cable
- USB 3.0 Cable
- 32GB SD card
- Mouse
- WIFI adapter
- USB key with InSight software installation
- Virtual dongle file for InSight
- 12V Power supply



3 Available Ports on the Back of the Camera Body



Figure 1-1 Available Ports on the Back Panel of the Camera

Interface	Function Description
1. USB Mouse	Connect USB mouse for easy operation with embedded 4KView software.
2. USB3.0	1.Connect USB flash drive to save pictures and videos 2.Connect 5G WLAN modules to transfer video wirelessly in real time (AP/STA). 3.Connect computer with USB 3.0 connection to transfer video in real time and for advance image processing and analysis.
3. GE	Gigabit Ethernet port to connect router and switch to transfer video.
4. On/Off	Power switch.
5. HDMI	Comply with HDMI2.0 standard. 4K/1080P format video output and supporting automatic switch between 4K and 1080P format according to the connected monitors.,
6. SD	Comply with SDIO3.0 standard and SD card could be inserted for video and images saving.
7. 12V	Power adapter connection (12V/1A).
8. LED	LED status indicator.

4 Operation

- Connect the 12V power adapter to the camera and power outlet.
- Connect the HDMI cable to the camera and to the monitor
- PC mode, Install DeltaPix InSight and then connect the USB 3.0 to the camera and PC. Make sure to install the virtual dongle before starting the software (see "Program_a_soft_dongle.pdf" on the included USB memory key)
- In HDMI mode, connect the mouse to the camera (not needed when connected to a PC)
- Switch on the camera
- Switch on the monitor, and in USB mode start InSight