



Features:

- Excellent performance from a small and compact digital microscopy camera with fast live images and high-resolution still image
- Ideal camera for documentation and analysis for a wide range of applications
- Streaming live video on computer monitor via high-speed USB 2.0 bus at 480 Mbits/s
- Fast streaming colour video images with 30 fps at half resolution
- Perfect image and colour quality with fine details
- Resolution up to 3,145,728 pixels in colour
- Automatic and manual exposure and sensitivity control
- Easy and flexible daily use with dynamic insertion and removal of the camera to PC and notebook via a single standard USB 2.0 high-speed interface
- Small compact camera with optical C-mount for easy attachment to a microscope
- Tripod receptable for mounting to stands for macro photography
- Low power consumption allows silent operation without the need for a noisy fan
- Intuitive user interface with powerful and easy-to-use image capture and processing functions
- Back focus adjustment
- Manufactured in Denmark

Fast Streaming Video and High-Resolution Still Image

The Invenio 3SII, 3 Mega Pixels CMOS camera is designed to meet the demands of various applications in life- and material science. It offers: High speed video streaming to the computer monitor

Easy-to-use

Invenio 3SII is a compact digital camera with a standard C-mount interface for universal use and flexible attachment to microscopes. Installation of the electronic connection is very simple through connecting a single standard USB 2.0 cable between the camera and the computer. Invenio 3SII uses the USB 2.0 cable for power, control information and to transmit data.

Fast Video

The use of the 480 Mbits/s high-speed architecture of the USB 2.0 international standard has allowed the Invenio 3SII to deliver very fast streaming colour video in high resolution on the monitor of the connected computer.

With high frame rate the microscopy image appears on the computer screen without delay. The steady live image gives higher user comfort and productivity when focusing and interactively optimizing the image.

Direct Digitalization

The digitalization of the image signal direct at the sensor allows high transfer speed and reliable data communication with no loss of information or reduction in image quality.

Comfortable Operation

The powerful software included with the camera provides a wide range of image capture and image processing functions. Easy handling and a user-friendly application play an important role in the design of the product, making sure that both first-time users and experienced, creative users can take full advantage of digital imaging.

The Invenio 3SII is powerful, compact, easy to use and is the ideal camera for professionals in the fields of industry, research, medicine and science, furthermore, in applications where high sensitivity and fast video streaming, and video capture is important.

In relation to video speed, image quality and high sensitivity, the Invenio 3SII demonstrates it's superiority.



Invenio 3SII Specifications

Imager

Effective size:	1/2" format CMOS 6.6 mm x 4.9 mm
Colour filter:	Red, green and blue in Bayer pattern
Effective pixels:	2048 x 1536 pixels (3.1 million)
Pixel size:	3.2 x 3.2 microns
Dynamic range:	>48 dB
Signal to noise:	>48 dB
Dark Current noise:	20 electrons/pixel/second
Exposure time:	0.2 milliseconds to 5000 milliseconds
Sensitivity:	ISO 80 to 1200/1V/Lux-S
Binning:	NO
Exposure sensitivity:	Adjustable from 1 to 16 times
Exposure mode:	Automatic, manual or converging
Colour balance:	Automatic, manual or spot white balance
Shutter:	Electronic rolling shutter

Digital Still Image

Single exposure:	2048 x 1536 pixels (3.1 million)
------------------	-------------------------------------

Data Format & Compression

Digital output:	24 bit uncompressed TIFF-RGB (8 bits per colour)
	24 bit loss-less compressed JPEG2000 (8 bits per colour)
	24 bit JPEG compressed (8 bits per colour)
	24 bit uncompressed DICOM (8 bits per colour)
	24 bit uncompressed video in AVI format (8 bits per colour)

Computer & Software

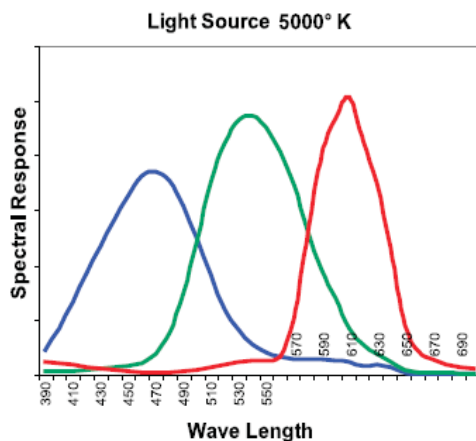
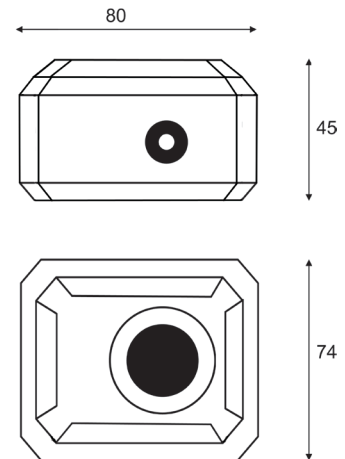
Data interface:	480 Mb/s high-speed USB 2.0 architecture
Cable:	Standard USB 2.0 cable with series "B" connector
Power:	USB
Application interface:	Intuitive, easy-to-use user application

Operational Requirements

Temperature:	0°C to +50°C
Humidity:	5% to 95% RH (non-condensing)

Physical Data

Optical mount:	Standard C-mount
Mechanical mount:	Tripod receptacle for macro photography
Enclosure:	Blue/grey Aluminium with tri-pod mount
Height:	45
Width:	80
Depth:	75
Weight:	360g
Compliance:	CE



Response shown with IR-filter.

Video Resolution:	2048 x 1536 pixels (more than 12 fps, full resolution) ROI can be freely selected
-------------------	---

Minimum Computer Platform

1 GB RAM
15 GB free harddisk space
USB 2.0 port
Windows XP, Vista, 7, 32 and 64 bit

Product Includes:

- Invenio 3SII digital camera for USB 2.0
- CD-ROM with
 - Stand-alone user application
 - Documentation
- USB 2.0 cable (2.0m)

Optional:

Software Developer Kit (SDK) for developing deep intergration with other software applications

Specifications and products are subject to change without any notice or obligation on part of DeltaPix Aps. January 2011.

DeltaPix and Invenio 3SII are trademarks of DeltaPix Aps. All other brands or product names are trademarks or registered trademarks of their respective holder. © 2011 DeltaPix Aps.



Your DeltaPix contact

www.deltapix.dk