



Features:

- Excellent performance from a small and compact digital camera for microscopy with fast live images and high-resolution still images
- Ideal camera for documentation and analysis for a wide range of applications
- Streaming live video on computer monitor via high-speed USB 2.0 bus at 480 Mbits/s
- Fast streaming video images with 30 fps at full resolution
- Perfect monochrome image quality with fine details
- Resolution up to 1,310,720 pixels in monochrome
- Automatic and manual exposure and sensitivity control
- Easy and flexible daily use with dynamic insertion and removal of the camera to PC and notebook via a single standard USB 2.0 high-speed interface
- Small compact camera with optical C-mount for easy attachment to a microscope
- Tripod receptacle for mounting to stands for macro photography
- Low power consumption allows silent operation without the need for a noisy fan
- Intuitive user interface with powerful and easy-to-use image capture and processing functions
- Back focus adjustment
- Manufactured in Denmark

Fast Streaming Video and High-Resolution Still Image

The Invenio 1MSII, 1.3 Mega Pixels CMOS camera is designed to meet the demands of various applications in life- and material science. It offers: High speed video streaming to the computer monitor.

Easy-to-use

Invenio 1MSII is a compact digital camera with a standard C-mount interface for universal use and flexible attachment to microscopes.

Installation of the electronic connection is very simple through connecting a single standard USB 2.0 cable between the camera and the computer. Invenio 1MSII uses the USB 2.0 cable for power, control information and to transmit data.

Fast Video

The use of the 480 Mbits/s high-speed architecture of the USB 2.0 international standard has allowed the Invenio 1MSII to deliver very fast streaming monochrome video in high resolution on the monitor of the connected computer.

With high frame rate the microscopy image appears on the computer screen without delay. The steady live image gives higher user comfort and productivity when focusing and interactively optimizing the image.

Direct Digitalization

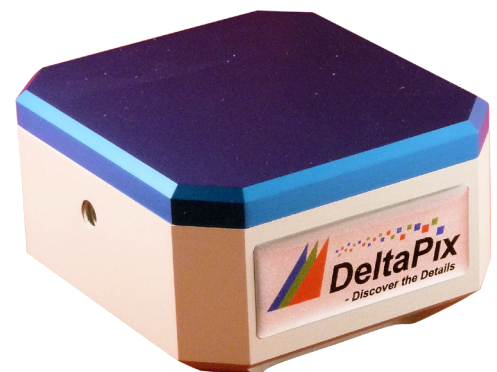
The digitalization of the image signal direct at the sensor allows high transfer speed and reliable data communication with no loss of information or reduction in image quality.

Comfortable Operation

The powerful software included with the camera provides a wide range of image capture and image processing functions. Easy handling and a user-friendly application play an important role in the design of the product, making sure that both first-time users and experienced, creative users can take full advantage of digital imaging.

The Invenio 1MSII is powerful, compact, easy to use and is the ideal camera for professionals in the fields of industry, research, medicine and science, furthermore, in applications where high sensitivity and fast video streaming, and video capture is important.

In relation to video speed, image quality and high sensitivity, the Invenio 1MSII demonstrates its superiority.



Invenio 1MSII Specifications

Imager

Effective size:	1/2" format CCD 6.6 mm x 4.9 mm
Effective pixels:	1280 x 1024 pixels (1.3 million)
Pixel size:	5.5 x 5.3 microns
Dynamic range:	>48 dB
Signal to noise:	>48 dB
Dark Current noise:	20 electrons/pixel/sec- ond
Exposure time:	0.2 milliseconds to 1000 milliseconds
Sensitivity:	ISO 80 to 1200/0.5V/ Lux-S
Binning:	NO
Exposure sensitivity:	Adjustable from 1 to 16 times
Exposure mode:	Automatic, manual or converging
Shutter:	Electronic rolling shutter

Digital Still Image

Single exposure:	1280 x 1024 pixels (1.3 million pixels)
------------------	--

Data Format & Compression

Digital output:	24 bit uncompressed TIFF-RGB
	24 bit loss-less com- pressed JPEG2000
	24 bit JPEG compressed
	24 bit uncompressed video in AVI format

Computer & Software

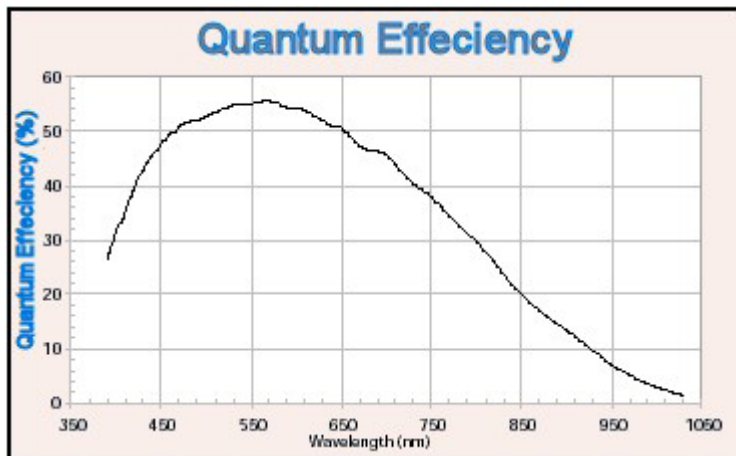
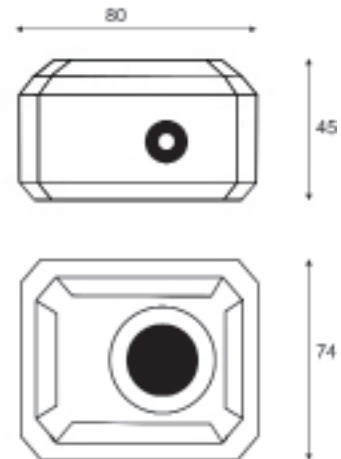
Data interface:	480 Mb/s high-speed USB 2.0 architecture
Cable:	Standard USB 2.0 cable with series "B" connector
Power:	USB
Application interface:	Intuitive, easy-to-use user application

Operational Requirements

Temperature:	0°C to +50°C
Humidity:	5% to 95% RH (non-condensing)

Physical Data

Optical mount:	Standard C-mount
Mechanical mount:	Tripod receptable for macro photography
Enclosure:	Blue/grey Aluminium with tri-pod mount
Height:	45
Width:	80
Depth:	75
Weight:	360g
Compliance:	CE



Response shown with no-filter.
Filter can be attached on request.

Video Resolution:	1280 x 1024 pixels (more than 30 fps, full resolution) ROI can be freely selected
-------------------	---

Minimum Computer Platform

- 1 GB RAM
- 15 GB free harddisk space
- USB 2.0 port
- Windows XP, Vista, 7, 32 and 64 bit

Product Includes:

- Invenio 1MSII digital camera for USB 2.0
- CD-ROM with
 - Stand-alone user application
 - Documentation
- USB 2.0 cable (2.0m)

Optional:

Software Developer Kit (SDK) for develop-
ing deep integration with other software
applications

Benefits and products are subject to change without prior notice. All trademarks are the property of their respective holder. © 2011 DeltaPix Aps.



Your DeltaPix contact

www.deltapix.dk