



Features:

- Excellent performance from a small and compact digital camera for microscopy with fast live images and high-resolution still images
- Ideal camera for documentation and analysis for a wide range of applications
- Streaming live video on computer monitor via high-speed USB 2.0 bus at 480 Mbits/s
- Fast streaming video images with up to 20 fps at half resolution
- Perfect monochrome image quality with fine details
- Resolution up to 5,038,848 pixels in monochrome
- Automatic and manual exposure and sensitivity control
- Easy and flexible daily use with dynamic insertion and removal of the camera to PC and notebook via a single standard USB 2.0 high-speed interface
- Small compact camera with optical C-mount for easy attachment to a microscope
- Tripod receptable for mounting to stands for macro photography
- Low power consumption allows silent operation without the need for a noisy fan
- Intuitive user interface with powerful and easy-to-use image capture and processing functions
- Back focus adjustment
- Manufactured in Denmark

Fast Streaming Video and High-Resolution Still Image

The Invenio 5MSII, 5 Mega Pixels CMOS camera is designed to meet the demands of various applications in life- and material science. It offers: High speed video streaming to the computer monitor.

Easy-to-use

Invenio 5MSII is a compact digital camera with a standard C-mount interface for universal use and flexible attachment to microscopes.

Installation of the electronic connection is very simple through connecting a single standard USB 2.0 cable between the camera and the computer. Invenio 5MSII uses the USB 2.0 cable for power, control information and to transmit data.

Fast Video

The use of the 480 Mbits/s high-speed architecture of the USB 2.0 international standard has allowed the Invenio 5MSII to deliver very fast streaming monochrome video in high resolution on the monitor of the connected computer.

With high frame rate the microscopy image appears on the computer screen without delay. The steady live image gives higher user comfort and productivity when focusing and interactively optimizing the image.

Direct Digitalization

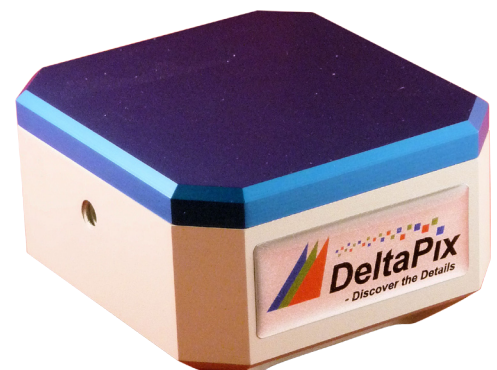
The digitalization of the image signal direct at the sensor allows high transfer speed and reliable data communication with no loss of information or reduction in image quality.

Comfortable Operation

The powerful software included with the camera provides a wide range of image capture and image processing functions. Easy handling and a user-friendly application play an important role in the design of the product, making sure that both first-time users and experienced, creative users can take full advantage of digital imaging.

The Invenio 5MSII is powerful, compact, easy to use and is the ideal camera for professionals in the fields of industry, research, medicine and science, furthermore, in applications where high sensitivity and fast video streaming, and video capture is important.

In relation to video speed, image quality and high sensitivity, the Invenio 5MSII demonstrates its superiority.



Invenio 5MSII Specifications

Imager

Effective size: 1/2.5" format CMOS
5.7 mm x 4.28 mm

Effective pixels: 2592 x 1944 pixels
(5 million)

Pixel size: 2.2 x 2.2 microns

Dynamic range: >48 dB

Signal to noise: >48 dB

Dark Current noise: 20 electrons/pixel/sec-
ond

Exposure time: 0.12 milliseconds to
5000 milliseconds

Sensitivity: ISO 40 to 600/0.5V/
Lux-S

Binning: NO

Exposure sensitivity: Adjustable from 1 to 16
times

Exposure mode: Automatic, manual or
converging

Shutter: Electronic rolling
shutter

Digital Still Image

Single exposure: 2592 x 1944 pixels
(5 million pixels)

Data Format & Compression

Digital output: 24 bit uncompressed
TIFF-RGB

24 bit loss-less com-
pressed JPEG2000

24 bit JPEG compressed

24 bit uncompressed
video in AVI format

Computer & Software

Data interface: 480 Mb/s high-speed
USB 2.0 architecture

Cable: Standard USB 2.0 cable
with series "B" connector

Power: USB

Application interface: Intuitive, easy-to-use
user application

Operational Requirements

Temperature: 0°C to +50°C

Humidity: 5% to 95% RH
(non-condensing)

Physical Data

Optical mount: Standard C-mount

Mechanical mount: Tripod receptable for
macro photography

Enclosure: Blue/grey Aluminium
with tri-pod mount

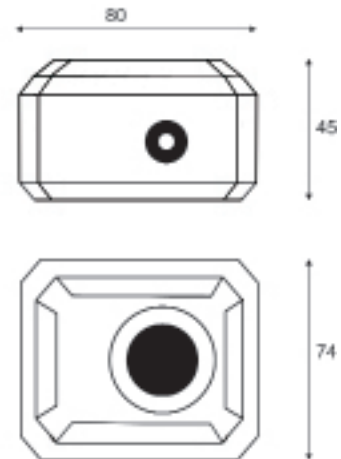
Height: 45

Width: 80

Depth: 75

Weight: 360g

Compliance: CE



Minimum Computer Platform

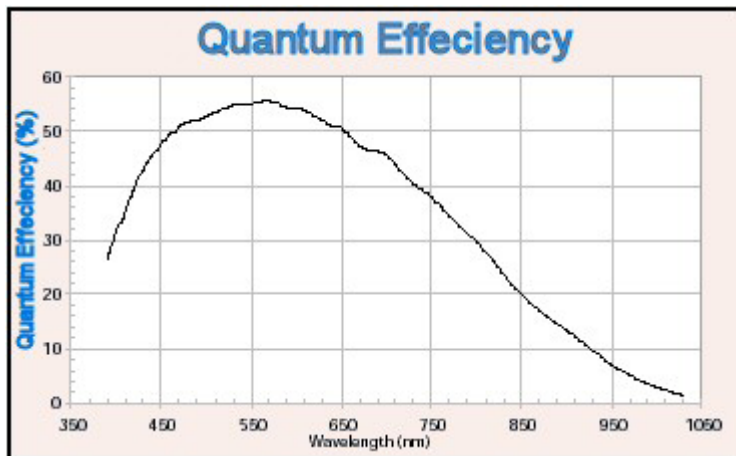
- 1 GB RAM
- 15 GB free harddisk space
- USB 2.0 port
- Windows XP, Vista, 7, 32 and 64 bit

Product Includes:

- Invenio 5MSII digital camera for USB 2.0
- CD-ROM with
 - Stand-alone user application
 - Documentation
- USB 2.0 cable (2.0m)

Optional:

Software Developer Kit (SDK) for develop-
ing deep integration with other software
applications



Response shown with no-filter.
Filter can be attached on request.

Video Resolution: 2592 x 1944 pixels
(more than 7 fps, full resolution)
ROI can be freely selected

Specifications and products are subject to change without any other obligation on part of DeltaPix Aps. Invenio is a registered trademark of their respective holder. © 2011 DeltaPix Aps.



Your DeltaPix contact

www.deltapix.dk